



## META

## PENDANTS

Our first lighting collection to capture the organic forms found only in our experimental MetaMATERIAL. With a blend of transparency and opacity resembling fused and handblown glasswork, our Meta Pendants are made using an experimental process only possible with resin. Our *Prism* colorway is a multi-hued palette that reveals tonal shifts as you move around the piece, brilliantly contrasted when lit.

Each shade is made with durable acrylic and a multitude of tinted UV-stable rubber tiles that reveal contrasting yet, ethereal compositions of light and dark when lit. Each light piece is entirely unique, hand molded and assembled to shape, accentuating the interlocking shapes and undulating line quality along the surface.

Shown: *Custom 24" diameter in Prism with nickel hardware*



## META

## PENDANTS

*STUDIO EXCLUSIVE*

PATTERN: FREQUENCY

COLORWAY: PRISM

PENDANT MATERIAL: RUBBER, RESIN and ACRYLIC

HARDWARE: AVAILABLE IN WHITE POWDER-COATED,  
BLACK POWDER-COATED, AND SATIN NICKEL

CAST, MOLDED, AND FINISHED BY HAND.

CUSTOMIZATION AVAILABLE.

ALL PIECES ARE MADE TO ORDER.

50% DEPOSIT REQUIRED.

BALANCE DUE PRIOR TO SHIPPING.

LEAD TIME APPROXIMATELY 14-16 WEEKS.

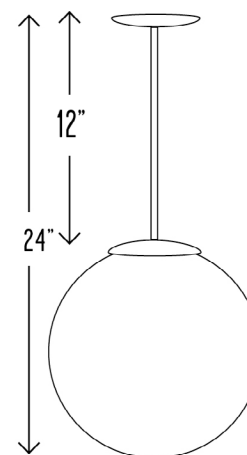
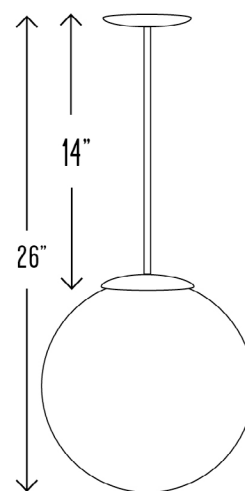
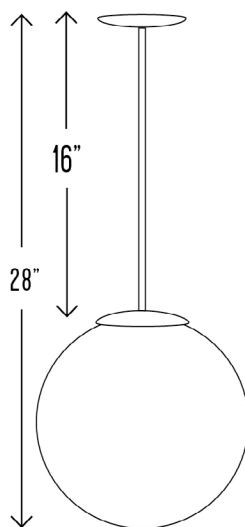
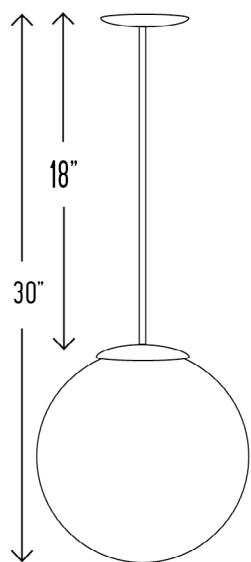
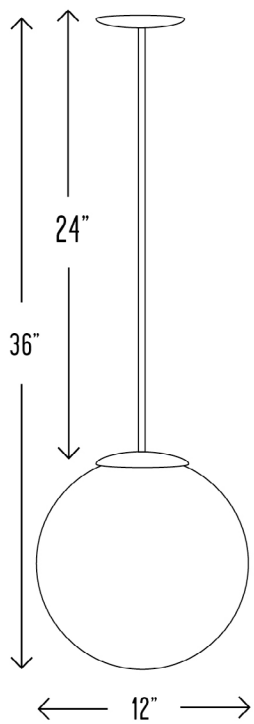
*Our pendants are all handmade and will vary slightly in shape, size, color and pattern. Although, the resin we use is UV-stablized we strongly suggestly the use of LED bulbs only (standard E26). Lightbulb not included.*

AVAILABLE SIZES:

12" GLOBE	\$8,500
14" GLOBE	\$9,750
16" GLOBE	\$11,000
18" GLOBE	\$12,500

AVAILABLE SIZES:

12" GLOBE

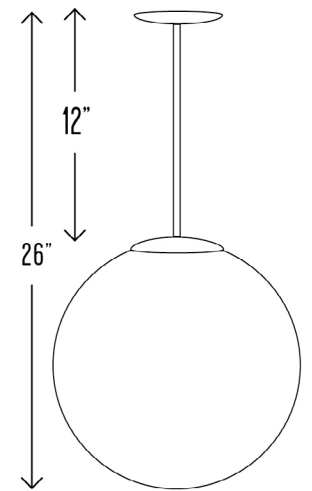
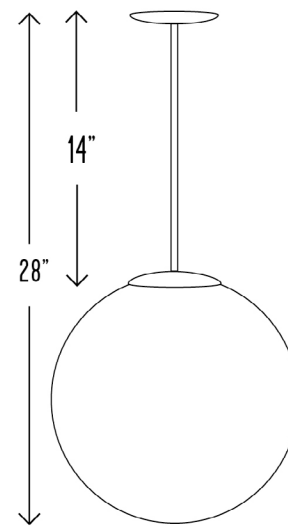
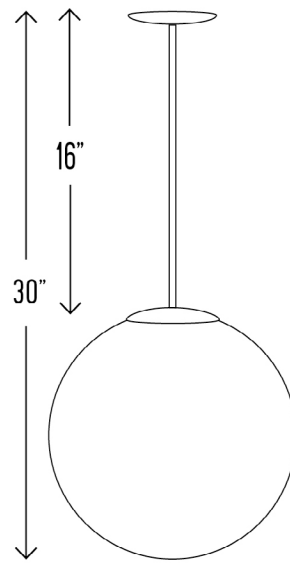
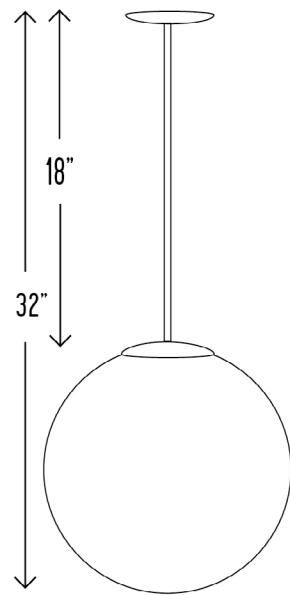
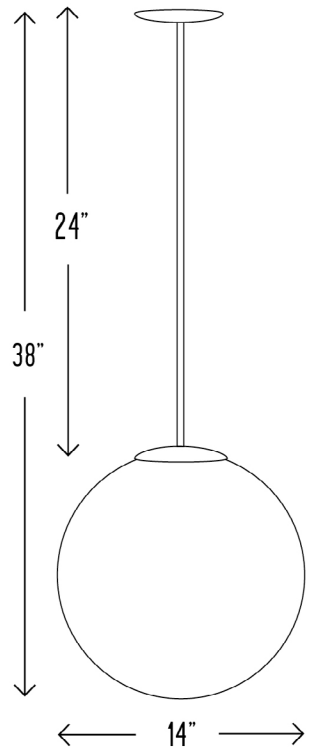


META

PENDANTS

AVAILABLE SIZES:

14" GLOBE

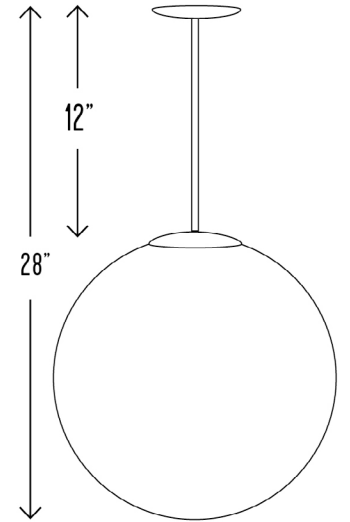
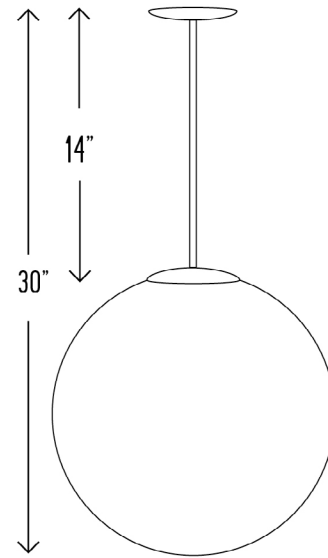
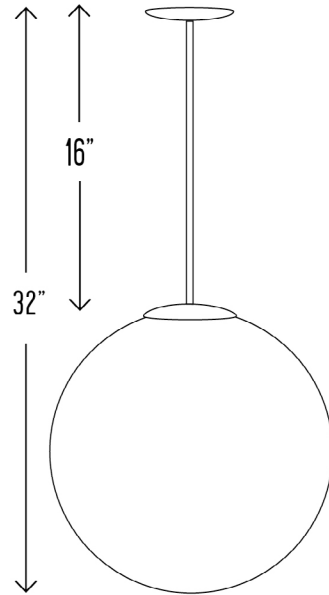
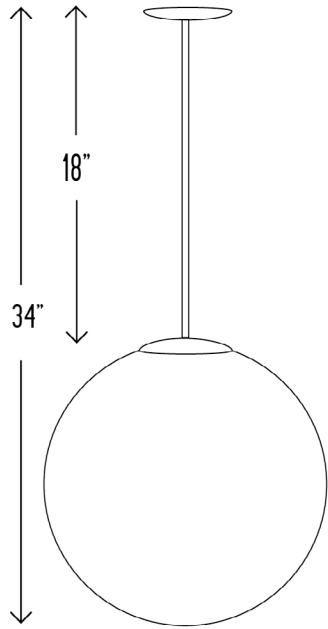
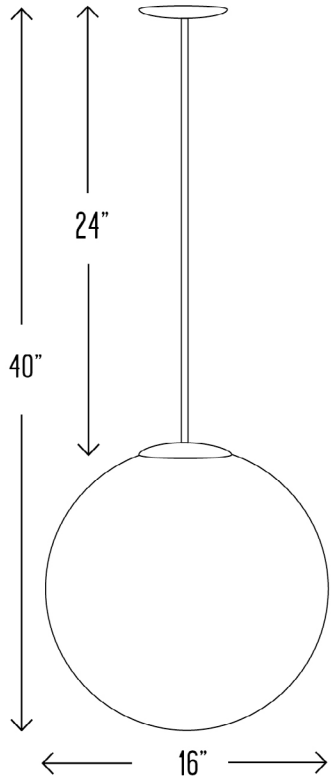


# META

# PENDANTS

AVAILABLE SIZES:

16" GLOBE



META

PENDANTS

AVAILABLE SIZES:

18" GLOBE

META

PENDANTS

