

META

PENDANTS

Our first lighting collection to capture the organic forms found only in our experimental MetaMATERIAL. With a blend of transparency and opacity, we create ethereal shapes of light and dark inspired by our signature Frequency pattern. Each piece is hand molded and assembled to shape, accentuating our unique processes and line quality along the surface.

Each Meta Pendant is made using multiple unique casting processes. We create all of our materials in house, hand pigmenting and pouring sheets of UV-stable translucent rubber then shaping, forming, and sculpting them together using a blend of techniques.

Colorway Shown: *Aquamarine with White hardware*



META

PENDANTS

STUDIO EXCLUSIVE

PATTERN: FREQUENCY

PENDANT MATERIAL: RUBBER, RESIN and ACRYLIC

HARDWARE: AVAILABLE IN WHITE POWDER-COATED,

BLACK POWDER-COATED, AND SATIN NICKEL

CAST, MOLDED, AND FINISHED BY HAND

CUSTOMIZATION AVAILABLE.

ALL PIECES ARE MADE TO ORDER

50% DEPOSIT REQUIRED.

BALANCE DUE PRIOR TO SHIPPING.

LEAD TIME APPROXIMATELY 14-16 WEEKS.

Our pendants are all handmade and will vary slightly in shape, size, color and pattern. Although, the resin we use is UV-stablized we strongly suggestly the use of LED bulbs only. Lightbulb not included.

AVAILABLE SIZES:

| | |
|-----------|----------|
| 12" GLOBE | \$8,500 |
| 14" GLOBE | \$9,750 |
| 16" GLOBE | \$11,000 |
| 18" GLOBE | \$12,500 |

AVAILABLE COLORWAYS:

META

PENDANTS



Aquamarine



Opal



Amethyst



Sapphire



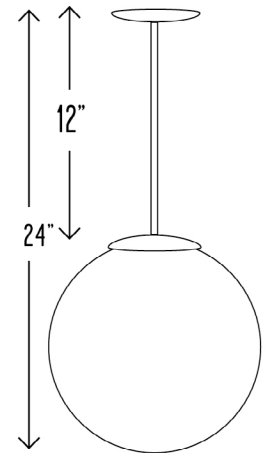
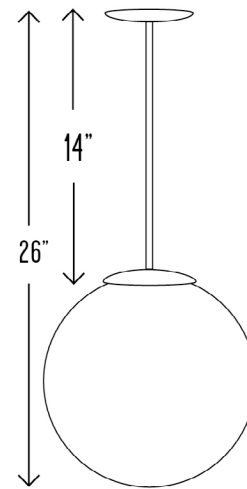
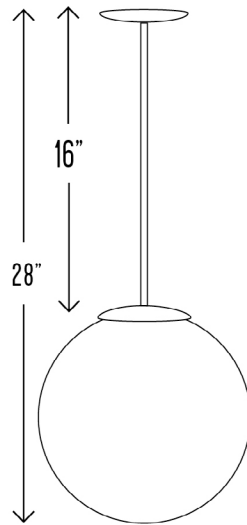
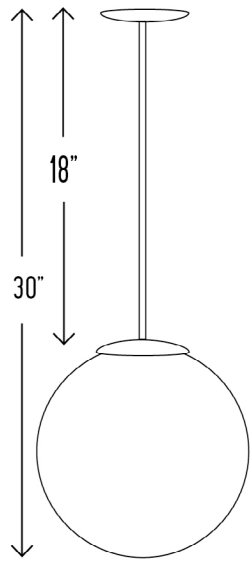
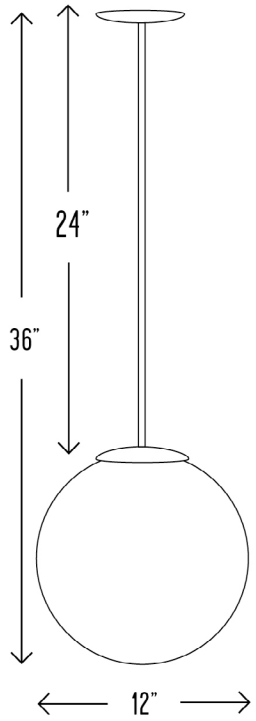
Rose Quartz



Citrine

AVAILABLE SIZES:

12" GLOBE

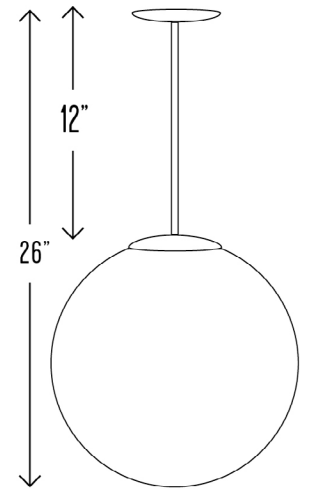
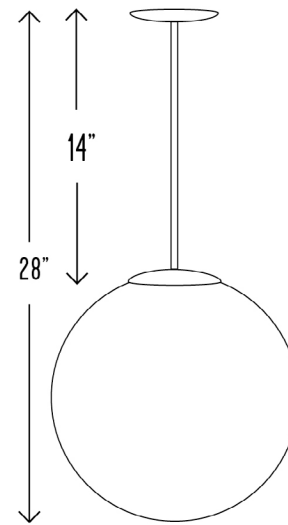
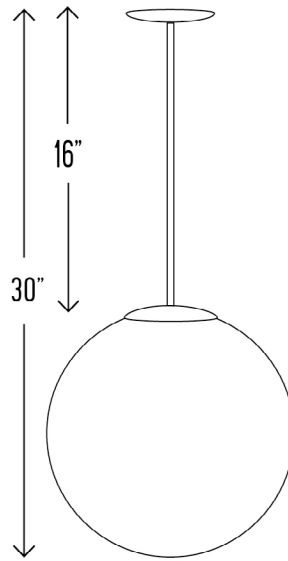
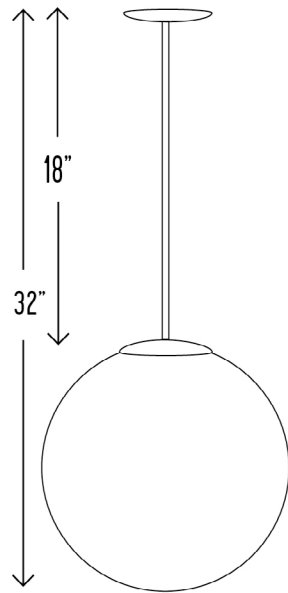
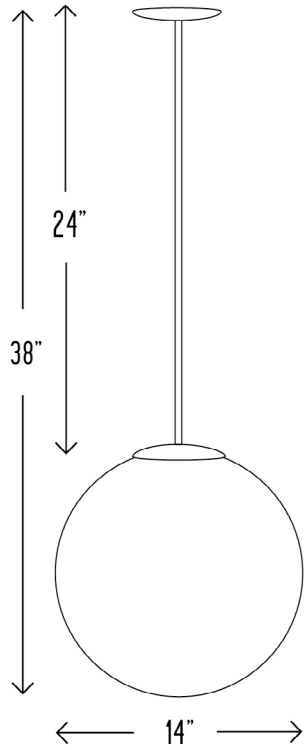


META

PENDANTS

AVAILABLE SIZES:

14" GLOBE



META

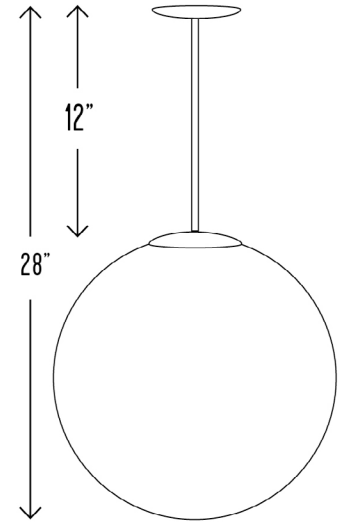
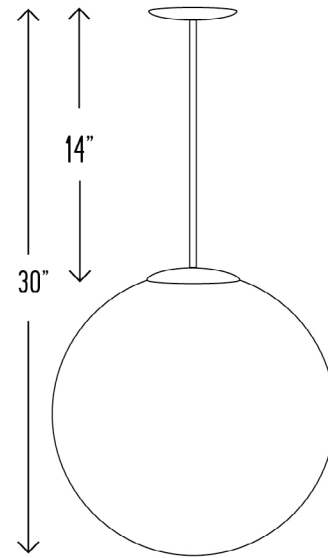
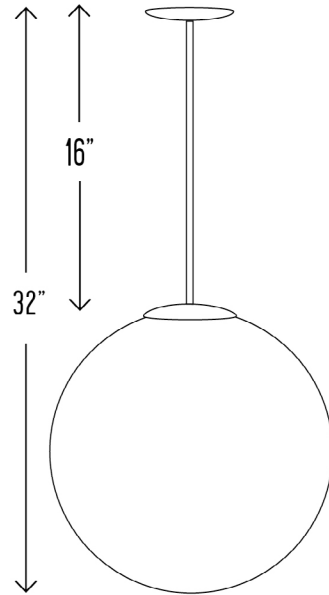
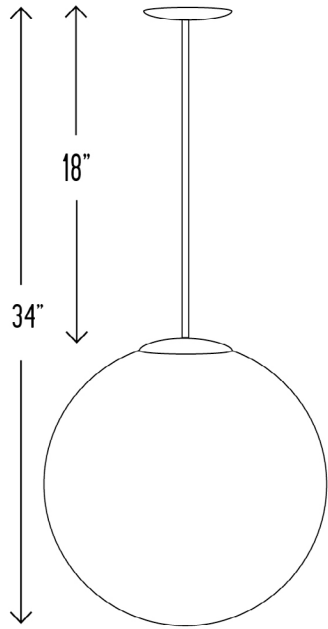
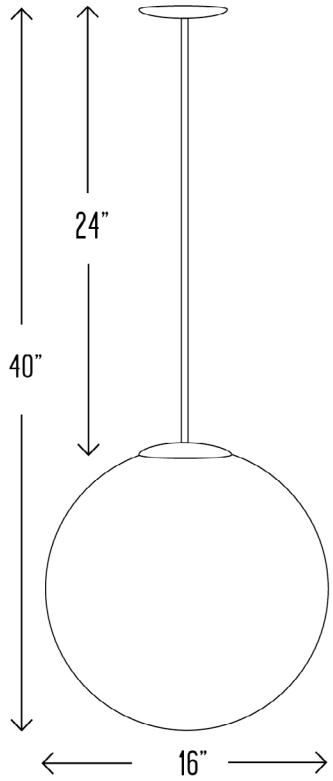
PENDANTS

AVAILABLE SIZES:

16" GLOBE

META

PENDANTS



AVAILABLE SIZES:

18" GLOBE

META

PENDANTS

